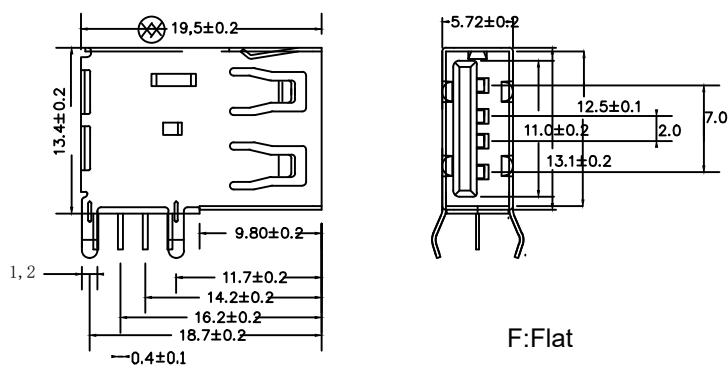


- NOTES:
- MATERIAL SPECIFICATION
 - INSULATION MATERIAL THERMOPLASTIC.
 - SHELL: COPPER ALLOY/SPCC, T: 0.30mm
PLATING: NICKEL
 - TERMINAL: COPPER ALLOY, T: 0.25mm
PLATING: GOLD/TIN PLATED.
 - ELECTRICAL CHARACTERISTIC:
 - INSULATION RESISTANCE: 1000MΩ MIN.
 - CONTACT RESISTANCE: 30mΩ MAX.
 - WITHSTANDING VOLTAGE: 500V AC.
 - MECHANICAL CHARACTERISTICS:
 - INSERTION FORCE: 3.57Kgf MAX.
 - EXTRACTION FORCE: 1.02Kgf MIN.
- ORDERING INFORMATION

保存环境: 干燥常温环境, 避免接触酸性和潮湿气候

04XN-1XU07-X
 1:AU 1U"
 6:AU 30U"
 T:TIN
 N:NICKEL
 S:Scrolls F:Flat
 B:Black W:White



—		new	2015/5/3	A	瀚源
ECN BO.		DESCRIPTION.	DATE.	REV.	
DESIGNED	CHECKED	APPROVAL	DRAWING NUMBER	SCALT: 1/2	SCALE: 3:1
Mikey	Tom	Jerry	PART NAME 04XN-1XU07-X MODEL NAME 04XN-1XU07-X 3RD ANGLE PROJ	UNLESS OTHERWISE SPECIFIED, TOLERANCE: X. ±0.25 X.x ±0.20 X.xx ±0.15 ANGULAR ±3	FILE.NO.
			HanElectricity Co.,LTD		