

SCHEMATIC

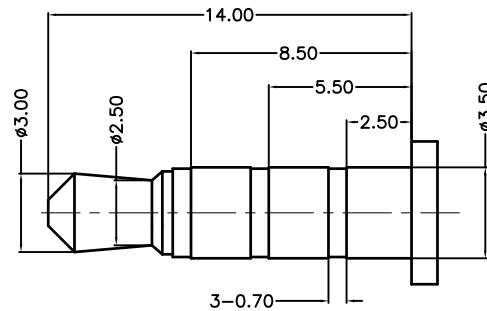
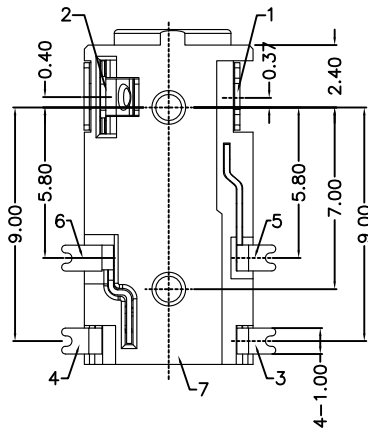
SPECIFICATIONS:

1. ELECTRICAL CHARACTERISTICS:

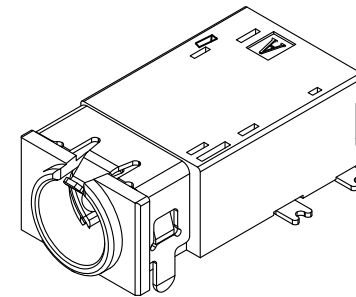
- 1.1 CURRENT RATING: 12V&1A MAX.
- 1.2 CONTACT RESISTANCE: 50mOHMS MAX.
- 1.3 DIELECTRIC VOLTAGE WITHSTAND :500V AC FOR ONE MINUTE
- 1.4 INSULATION RESISTANCE:100MOHMS MIN. MEASURED BY 500V DC

2. MECHANICAL CHARACTERISTICS:

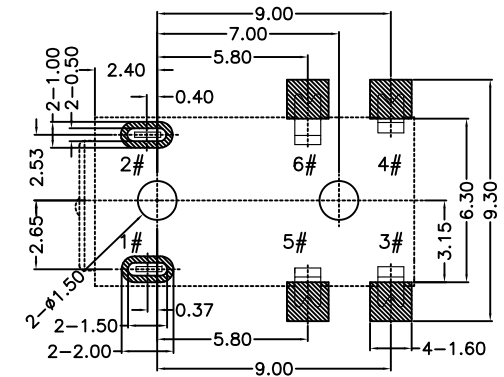
- 2.1 INSERTION FORCE:3~30N
- 2.2 WITHDRAWAL FORCE:3~30N
- 3. LIFE TEST:5000 CYCLES
- 4. ENVIRONMENTAL:
OPERATING TEMPERATURE:-40°C~85°C
- 5. SALT SPRAY:24H AT 35°C WITH 5%-SALT-SOLUTION CONCENTRATION.
- 6. PACKAGE: TAPE&REEL



(φ3.50mm 4 POLE PLUG DETAIL DRAWING)



3D VIEW



Recommended PCB Layout(TOP VIEW)
(Tolerance:±0.05)

				TOLERANCE UNLESS SPECIFIED							
7	HOUSING	PPA	1	BLACK	UP TO 5mm:±0.1	ANGULAR	1				
6	CONTACT 6#	PBS	1	Ni/Au-PLATED	ABOVE 5mm:±0.2	±1°	NO	DATE	REVISIONS		BY APPD
5	CONTACT 5#	PBS	1	Ni/Au-PLATED	TITLE: PHONE JACK		UNIT : MM	ROHS COMPLIANT	DWN		
4	CONTACT 4#	PBS	1	Ni/Au-PLATED	MODEL: PJ-3136A		SCALE: 1:1	CHK'D			
3	CONTACT 3#	PBS	1	Ni/Au-PLATED	HAOYU(HONGKONG)LIMITED 皓宇(香港)有限公司		APPD				
2	CONTACT 2#	PBS	1	Ni/Au-PLATED			PRO.AGL:		REV :A0		
1	CONTACT 1#	PBS	1	Ni/Au-PLATED							
NO.	PART NAME	MATERIAL	QTY	FINISHING							