

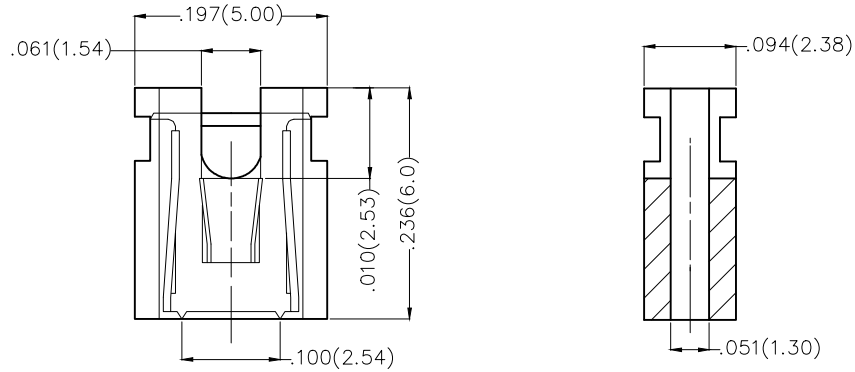
REV	LOCATIONS	DESCRIPTION	DATE	REVISER	APPD

Specifications

Current Rating: 3 Ampere
 Insulation Resistance: 1000M Ω Min.
 Withstanding Voltage: 1000V AC
 Contact Resistance: 20m Ω Max.
 Temperature Range—Operating: -40°C to +105°C

Materials

Housing: PBT UL 94V-0
 Terminal: Copper Alloy



 THIRD ANGLE PROJECTION	GENERAL TOLERANCES (UNLESS SPECIFIED)		APPROVE BY FRANK	DATE 26/JUN/13	PART NO. FR-1YF-01	ITEM NO. FR-1YF	 Leader Of Industry	
	DESIGN UNITS Inch (metric)	X.X±.012(0.30)	X.±5°	CHECKED BY JACOB	DATE 26/JUN/13	TITLE .100' (2.54mm) PITCH Conn (Open)		REV 0
SCALE 5:1	SIZE A4	X.XX±.008(0.20)	.X±2°	DRAWN BY CHERRY	DATE 26/JUN/13	THIS DRAWING CONTAINS INFORMATION THAT IS PROPRIETARY TO TXGA INDUSTRIAL ELECTRONICS(S.Z)CO.,LTD AND SHOULD NOT BE USED WITHOUT WRITTEN PERMISSION		
		X.XX±.006(0.15)	.XX±1°					
		X.XXX±.004(0.10)	.XXX±0.5°					