



Part No.
HRP13

Industrial Relay

Features:

- ⇒ Size :27.6×21.6× 35.0(mm)
- ⇒ Various terminales available
- ⇒ Socket available
- ⇒ 1 Form C , 2 Form C available



Odering Information

HRP13 - DC12V - 2C - L - X
 ① ② ③ ④ ⑤

- ① Part No.
- ② Coil Voltage
DC: 5,6,9,12, 24V,48,110,220V
AC : 6,12, 24V,48,60,110,220,240V
- ③ Contact form:
2A: 2 N/O 2C: 2 C/O
- ④ L: with LED
Nil : without LED
- ⑤ Special requirment

Specification:

Contact		Characteristics	
Contact Form	1 Form C ,2 Form C	Insulation resistance	Min 500MΩ(500VDC)
Contact Material	Ag Alloy	Dielectric Strength	Between contact 1000VAC 1min Between coil &contact 1500VAC 1min
Contact Resistance	100 mΩ(6VDC 1A)	Operate time	≤ 25ms
Contact Rating(Resistance Load)		Release time	≤ 25ms
1C: 15A 250VAC 30VDC		Shock Enduranc	100 m/s ²
2C: 10A 250VAC 30VDC		Resistance Damage	1000 m/s ²
Max Switching Voltage	250VAC/30VDC	Vibration Resistance	10-55 HZ 1.5mm DA
Max Switching Current	15 / 10 A	Humidity	5%-85% RH
Max Switching Power	2500VA 300W	Ambient Temperature	-40 °C to 70°C
Electrical Life	100,000 ops	Weigt	Approx. 37.0g
Mechanical Life	1,000,000 ops		Noted :the data are initial value

Coil Data: at 23°C

DC (900~1100mW)

Nominal Voltage VDC	Operate Voltage Max VDC	Release Voltage Min VDC	Max Voltage VDC	Coil Resistance Ω +/- 10%
5	4.00	0.50	5.50	27
6	4.80	0.60	6.60	40
9	7.20	0.90	9.90	90
12	9.60	1.20	13.20	160
24	19.20	2.40	26.40	640

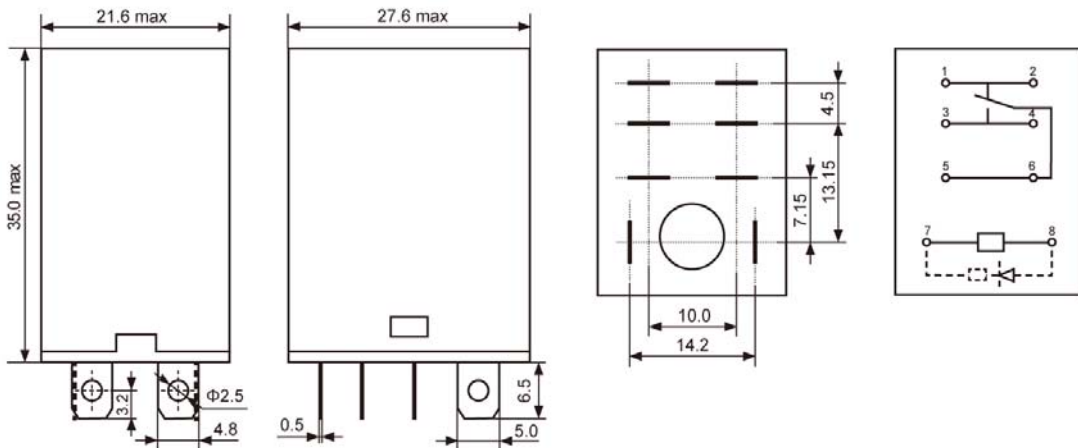
48	38.40	4.80	52.80	2560
110	80.00	11.00	121.00	12250
220	176.00	22.00	242.00	53360

AC (1.2 ~ 1.8 VA)

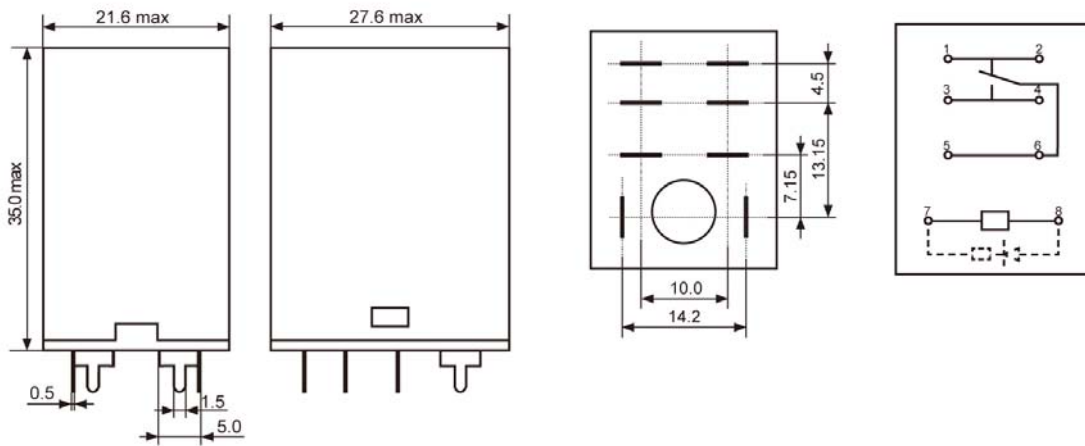
Nominal Voltage VAC	Operate Voltage Max VAC	Release Voltage Min VAC	Max Voltage VAC	Coil Resistance Ω +/- 10%
6	4.80	1.80	6.60	11
12	9.60	3.60	13.20	44
24	19.20	7.20	26.40	177
48	38.40	14.40	14.40	708
60	48.00	18.00	18.00	1100
110	80.00	33.00	121.00	3400
220	160.00	66.00	242.00	13600
240	176.00	72.00	264.00	16300

Dimension(mm)

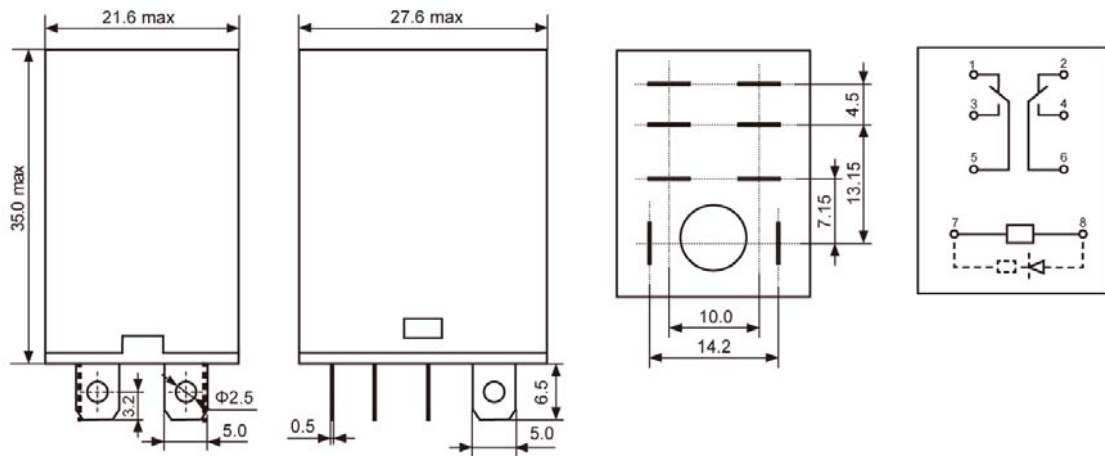
Tolerance ± 0.2



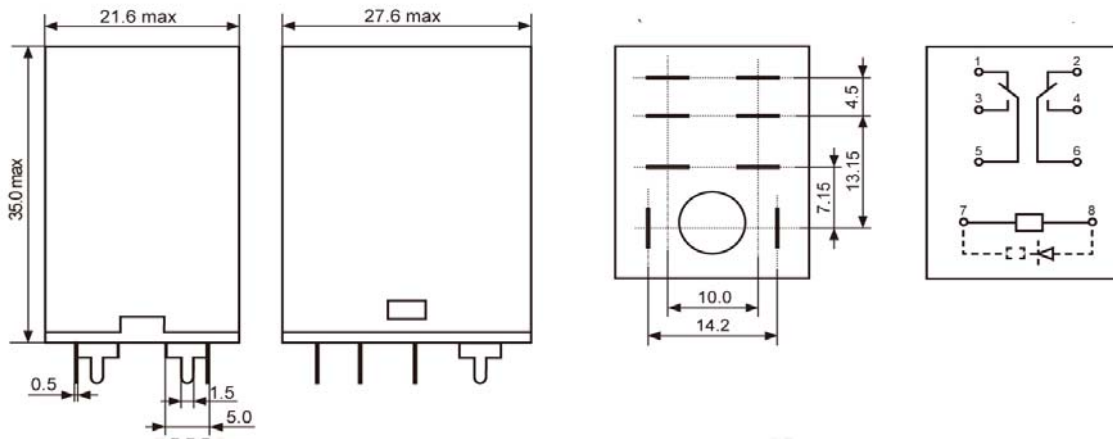
1C



1C PCB terminal



2C



2C PCB terminal